

MTS 67

Desktop Microphone Unit

FEATURES

- LED indication and illuminated ring
 - Silent microphone button
 - Cardioid polar pattern
 - State-of-the-art metal casing
 - Linear frequency response with high bandwidth
- MTS 67/3 and MTS 67/5:**
- "Intelligent" microprocessor-controlled desktop microphone unit
 - Operating modes: ON/OFF, Push-To-Talk and Push-To-Mute
 - Switchable roll-off filter
- MTS 67/5:** control input and output
- MTS 67/7:** control of the LEDs and separate connection of the switching contacts (ideal for media control systems)



APPLICATIONS

The MTS 67 is a desktop microphone unit with many different functions. Depending on the application, it is possible to choose between three operating modes: ON/OFF, Push-To-Talk (PTT) or Push-To-Mute (PTM). The different functions are controlled by a micro-controller. Furthermore, the frequency response can be tailored for use in three modes: linear, 90 Hz bass roll off, 150 Hz bass roll off.

The MTS 67 is switched on and off with a silent microphone button. An LED in the housing and an illuminated ring around the gooseneck microphone show the ready-to-talk condition. The MTS 67 is ideal for discussions, tele/video conferencing and announcements.

The **MTS 67/5** version is available with a remote control i.e. the microphone can be operated with an external control contact and as a choice the built-in microphone button is switched on or off. An external device (e.g. mixing amplifier for announcements) can be triggered by an Open Collector Control output.

Within the **MTS 67/7** the internal switch logic has been removed and the external connections for LEDs or buttons are to connect control systems to the microphone unit for the logic control. Therefore, the MTS 67/7 is ideal for applications with media control systems or paging systems.

VERSIONS

| | | |
|----------|--|-----------------|
| MTS 67/3 | Desktop microphone unit with 3-pin male XLR. | Order # 453.862 |
| MTS 67/5 | Desktop microphone unit with 5-pin male XLR. | Order # 454.168 |
| MTS 67/7 | Desktop microphone unit with 7-pin male XLR. | Order # 484.458 |

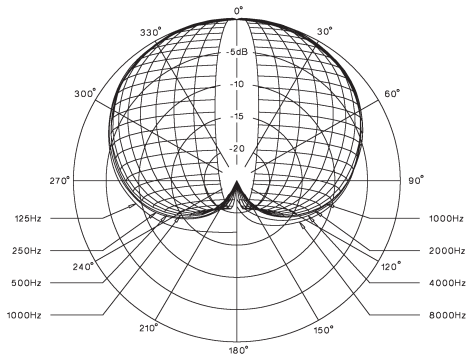
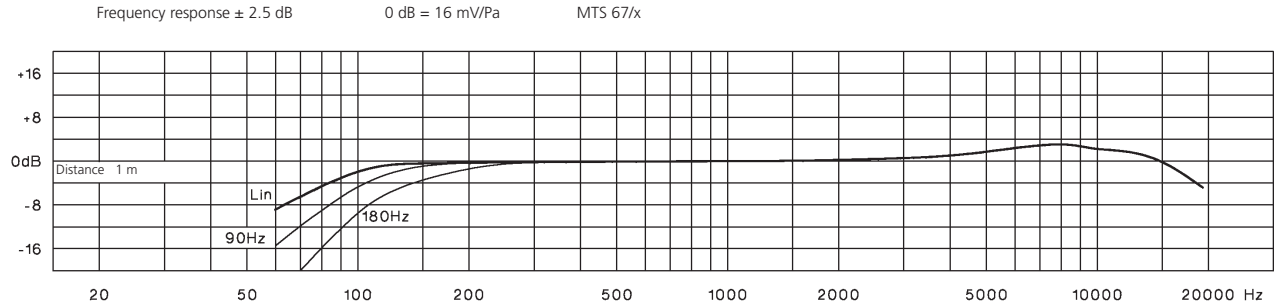
TECHNICAL SPECIFICATIONS

| | |
|--|--|
| Transducer type | Condenser (back electret) |
| Frequency response (linear) | 60 - 19,000 Hz |
| Polar pattern. | Cardioid |
| Open circuit voltage at 1 kHz | 16 mV/Pa |
| Nominal impedance | 180 Ω |
| Load impedance | > 1 kΩ |
| Max. SPL at f = 1 kHz, k < 1% | 122 dB |
| Signal-to-noise ratio rel. to 1 Pa | 60 dB |
| A-weighted equivalent SPL | approx. 26 dB |
| Level attenuation Off / Mute (f = 1 kHz) | > 65 dB |
| Supply voltage | 24 - 52 V, phantom power |
| Power consumption | 8.5 mA |
| Connection MTS 67/3 | 3-pin male XLR 1 Shield, 2 Audio +, 3 Audio - |
| Connection MTS 67/5 | 5-pin male XLR 1 Shield, 2 Audio +, 3 Audio -, 4 Control output Open Collector max. 50 mA / 55 V, 5 Control input floating switching to chassis |
| Connection MTS 67/7 | 7-pin male XLR 1 Mic GND, 2 Signal +, 3 Signal -, 4 Switch, 5 Switch, 6 LED +, 7 LED - |
| Gooseneck length. | 400 mm |
| Dimensions (w/out microphone) | |
| L x W x H | 190 x 104 x 52 mm |
| Weight | 770 g |

MTS 67

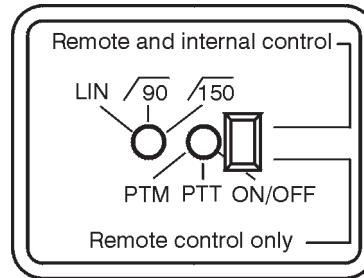
FREQUENCY RESPONSE & POLAR PATTERN

This frequency response curve (measuring tolerance ± 2.5 dB) and polar pattern correspond to a typical production sample for this microphone.

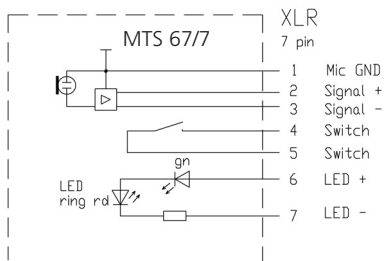
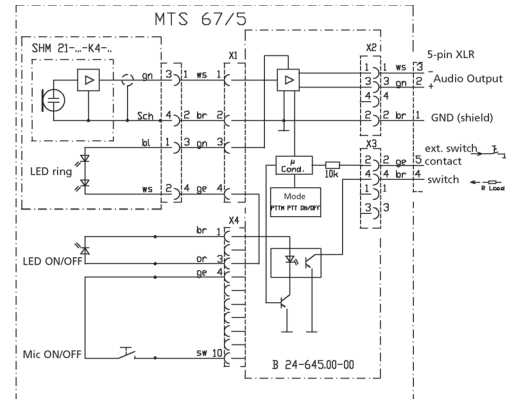
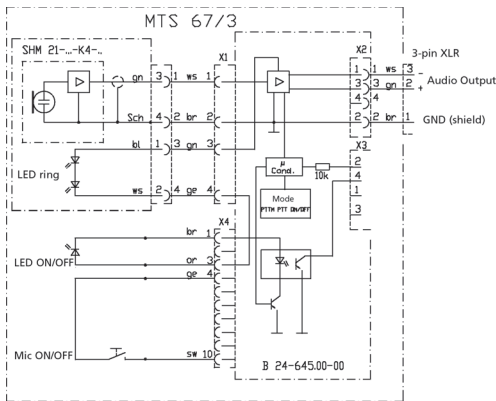


BOTTOM VIEW

MTS 67/3 and MTS 67/5



WIRING DIAGRAMS



bl = blue
br = brown
ge = yellow
gn = green
rd = red
sw = black
ws = white
Sch = shield